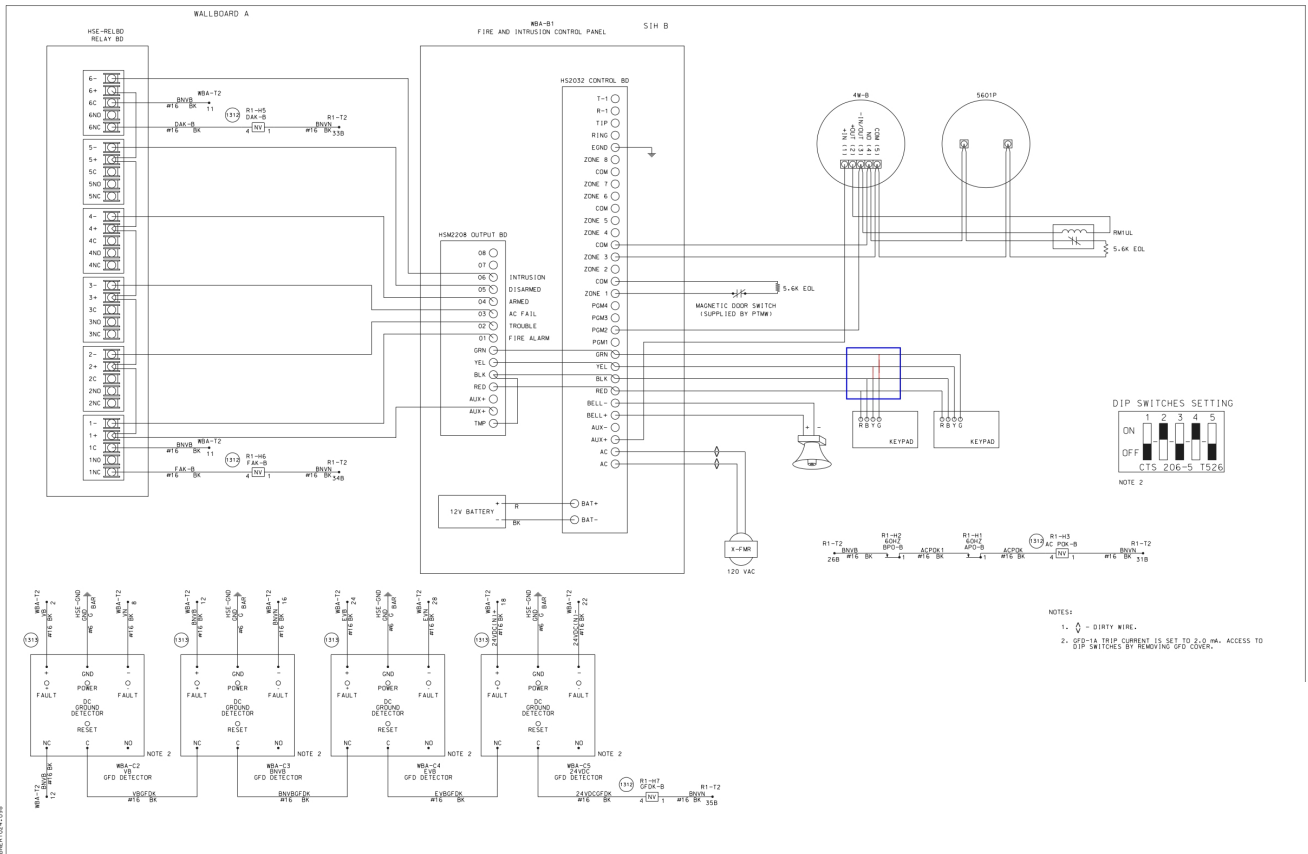


# SIGNALING SYSTEM FOR RAIL YARD

Datasheet

# Project objective

Provide engineering support for 9 locations at the newly built rail yard during the as-in-service stage. Execute the final review of the rail yard signaling system to ensure its performance.



# Result

The signaling system is validated to be incorporated within the rail storage yard. The updated Book of Plans contains all the design issues fixed to proceed with further activities. This allowed FAT and SAT for the rail yard signaling system to be performed without any issues.

## Scope of work

- ❖ BOP markups for double-line track and location pictures' analysis
- ❖ Hardware updates to eliminate circuit design inconsistencies
- ❖ Verification and changes to software part adjusting interlocking application logic

## Activities

- ❖ Markups analysis and creation
- ❖ HW & SW updates

# About the project

## Technologies

- ❖ Bluebeam Revu 2019
- ❖ Microlok II Tools, Compiler C3.00

## Platforms

- ❖ Linux
- ❖ Windows

## Project size

- ❖ 5 Signaling Engineers

## Duration

